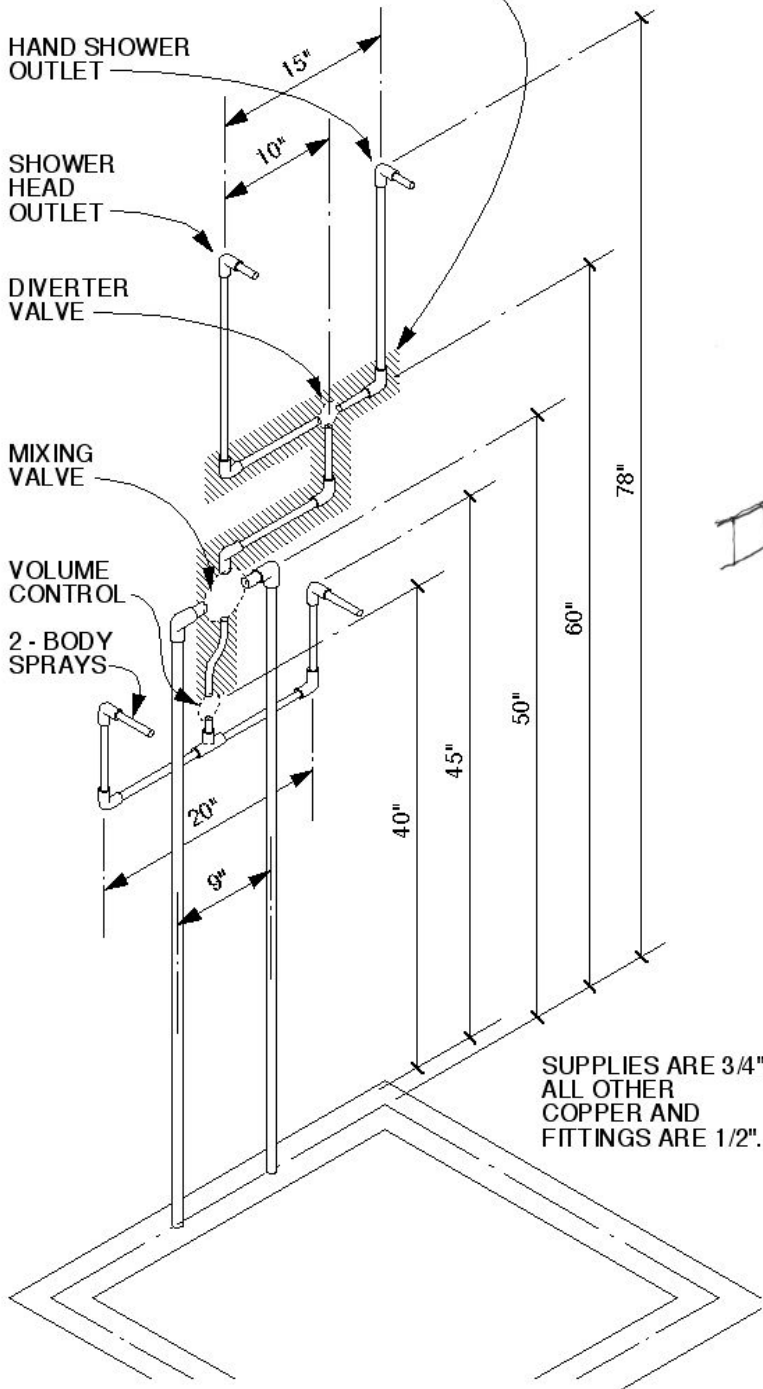
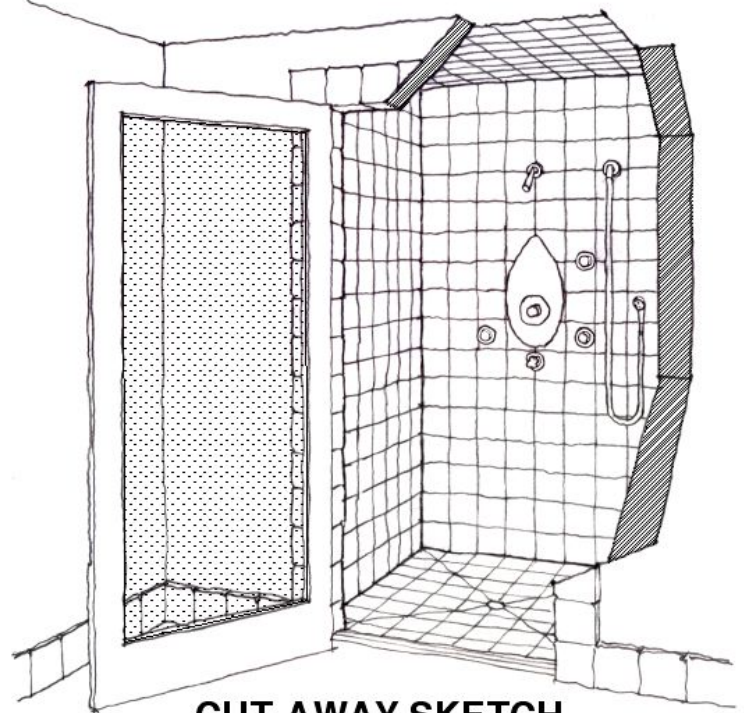


PARTS SHOWN WITHIN TONED AREA MAY BE ACCOMPLISHED WITH FLEXIBLE TUBING IF ALLOWED BY CODE



PIPING SCHEMATIC



CUT-AWAY SKETCH

RECOMMENDATIONS:

1. TOWEL BARS
2. ROBE HOOKS
3. SOUND INSULATION
4. INDIVIDUAL ROOM ENVIRONMENTAL CONTROLS
5. ADDITIONAL COLD PLUNGE SHOWER IS RECOMMENDED. SEE DRAWING CP.1.
6. RUST/MOISTURE RESISTANT FIXTURING
7. WATERPROOF CEILING LIGHT
8. COMPLIANCE WITH ALL ASPECTS OF ALL APPLICABLE ACCESSIBILITY CODES
 - GRAB BARS
 - SHOWER SEAT
 - ETC.
9. PROVIDE APPROPRIATE BACKING FOR SECURE ATTACHMENT OF WALL MOUNTED ITEMS AS REQUIRED BY LOCAL CODE AND AS NECESSARY.

ABBREVIATIONS

- B.O. = BY OTHERS
 B.E. = BY ETOPA
 TYP = TYPICAL

A Product of

etopa

303 South Pine St.
 Hammond, LA 70403

Tel: 800.454.0128
 Fax: 985.345.3555

**E-SERENITY
 DELUXE
 SHOWER ROOM**

**PLUMBING
 ROUGH-IN
 DRAWINGS**

ISSUE DATE: 12/26/02

etopa reserves the right to alter details and/or dimensions without notice. Contact etopa for most recent version of drawings.

DS.1

SHEET 1 OF 1

Drawings prepared by:
 Charles Levin Architects
 Minneapolis, Minnesota
 www.charleslevinarchitects.com