

A Product of

etopa

303 South Pine St.
Hammond, LA 70403

Tel: 800.454.0128
Fax: 985.345.3555

**E - SERENITY
VICHY
SHOWER ROOM**

**PERSPECTIVE
SKETCH**

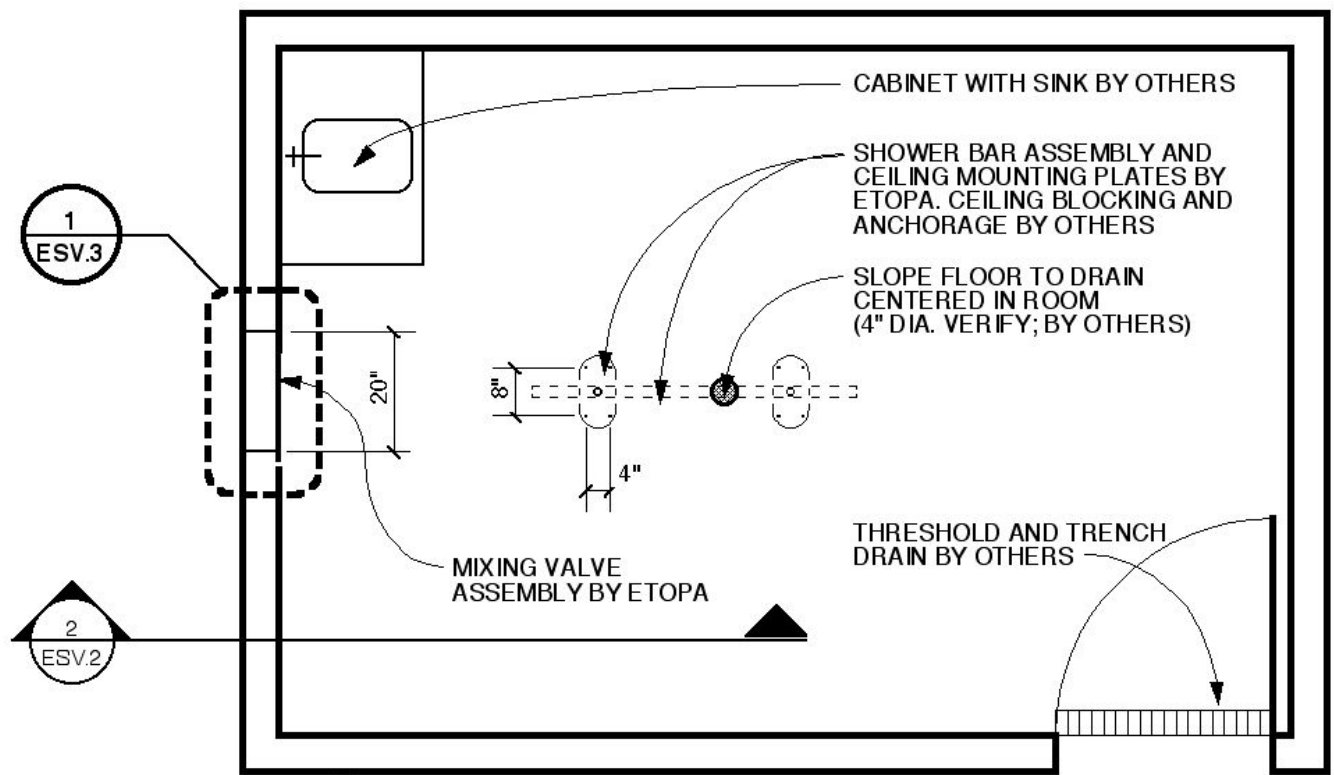
ISSUE DATE: 7/10/02

etopa reserves the right to alter details and/or dimensions without notice. Contact etopa for most recent version of drawings.

ESV.1

SHEET 1 OF 3

Drawings prepared by:
Charles Levin Architects
Minneapolis, Minnesota
www.charleslevinarchitects.com



1 **TYPICAL SHOWER ROOM FLOOR PLAN**
 ESV.2 SCALE: 3/8" = 1'-0"

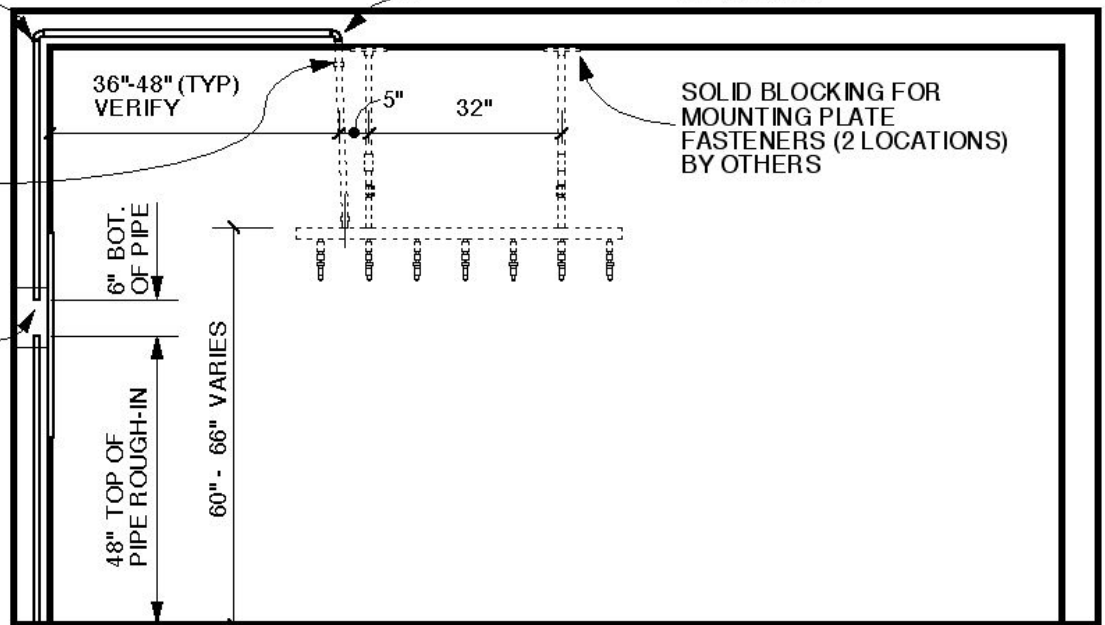
3/4" COPPER SUPPLY PIPE AND 1 - 90° ELBOW BY OTHERS

3/4" x 1" 90° ELBOW BY OTHERS

STAINLESS STEEL NIPPLE AND ESCUTCHEON BY ETOPA

MIXING VALVE ASSEMBLY AND DECORATIVE COVER PLATE BY ETOPA

3/4" - 1" COPPER HOT & COLD SUPPLIES BY OTHERS



2 **TYPICAL CROSS SECTION OF SHOWER SYSTEM**
 ESV.2 SCALE: 3/8" = 1'-0"

Drawings prepared by:
 Charles Levin Architects
 Minneapolis, Minnesota
 www.charleslevinarchitects.com

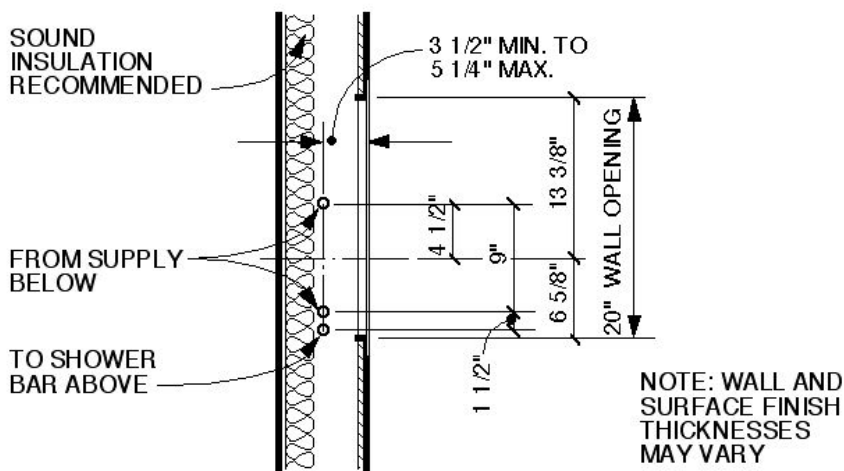
A Product of
etopa
 303 South Pine St.
 Hammond, LA 70403
 Tel: 800.454.0128
 Fax: 985.345.3555

**E - SERENITY
 VICHY
 SHOWER ROOM**

**PLUMBING
 ROUGH-IN
 DRAWINGS**

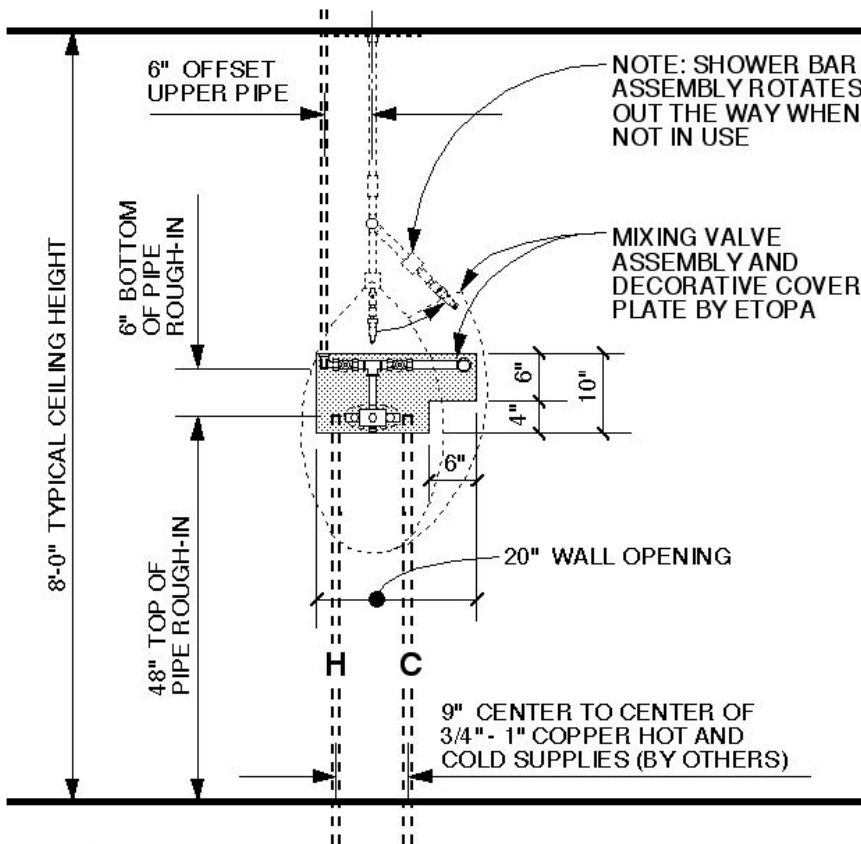
ISSUE DATE: 7/10/02
 etopa reserves the right to alter details and/or dimensions without notice. Contact etopa for most recent version of drawings.

ESV.2
 SHEET 2 OF 3



1 MIXING VALVE PIPING ROUGH-IN PLAN

ESV.3 SCALE: 3/4" = 1'-0"



2 MIXING VALVE PIPING ROUGH-IN ELEV.

ESV.3 SCALE: 1/2" = 1'-0"

GENERAL NOTES

1. CEILING HEIGHT ASSUMED TO BE 8'-0" (96") FINISHED; INFORM SUPPLIER IF YOUR CEILING IS DIFFERENT. PROVIDE STRUCTURAL SUPPORT IN CEILING FOR MOUNTING PLATES DESIGNED TO SUPPORT MINIMUM 200 LBS.
2. VALVE CAN BE PLUMBED INTO ANY WALL (6" MIN. THICKNESS RECOMMENDED TO ACCOMMODATE SOUND INSULATION AND DEPTH OF SHOWER VALVE; VENT ALL PLUMBING AS REQUIRED BY LOCAL CODE.
3. POWER VENTILATION OF ROOM IS RECOMMENDED, AND MAY BE REQUIRED BY LOCAL BUILDING CODE. VARIABLE SPEED CONTROL IS RECOMMENDED.
4. AN ADDITIONAL HAND SHOWER IS RECOMMENDED.
5. SINK WITH WORK COUNTER IS RECOMMENDED.
6. BACK FLOW PREVENTERS (WATTS #7) ARE RECOMMENDED IN HOT AND COLD WATER LINES, AND MAY BE REQUIRED BY LOCAL BUILDING CODE.
7. COMPLIANCE WITH LOCAL CODE IS THE THE RESPONSIBILITY OF OTHERS, NOT SUPPLIER.
8. MOUNTING HARDWARE NOT INCLUDED FOR MIXING VALVE COVER PLATE, CEILING MOUNTING PLATES OR WALL HOOK. ALL MOUNTING HARDWARE MUST BE STAINLESS STEEL.
9. TROUGH TYPE FLOOR TRENCH DRAIN AT DOOR IS RECOMMENDED.
10. SLOPE FLOOR TO CENTER DRAIN AT 1/8"-1/4" PER FOOT.
11. HANDICAP GRAB BARS ARE RECOMMENDED AND MAY BE REQUIRED BY LOCAL CODE.
12. INDIRECT LIGHTING RECOMMENDED (NOT FLUORESCENT).
13. SYSTEM REQUIRES MINIMUM 45 PSI. VICHY SHOWER OUTPUT IS 2.5 GPM PER SHOWER HEAD.
14. DECORATIVE PLATE TO BE SEALED TO WALL WITH SILICONE SEALANT.
15. ETOPA RESERVES THE RIGHT TO ALTER DETAILS AND/OR DIMENSIONS WITHOUT NOTICE. CONTACT ETOPA FOR MOST RECENT VERSION OF DRAWINGS.

A Product of

etopa

303 South Pine St.
Hammond, LA 70403

Tel: 800.454.0128
Fax: 985.345.3555

**E - SERENITY
VICHY
SHOWER ROOM**

**PLUMBING
ROUGH-IN
DRAWINGS**

ISSUE DATE: 7/10/02

etopa reserves the right to alter details and/or dimensions without notice. Contact etopa for most recent version of drawings.

ESV.3

SHEET 3 OF 3

Drawings prepared by:
Charles Levin Architects
Minneapolis, Minnesota
www.charleslevinarchitects.com