

A Product of

**etopa**

303 South Pine St.  
Hammond, LA 70403

Tel: 800.454.0128  
Fax: 985.345.3555

**E - SERENITY  
HAND SHOWER  
SHOWER ROOM**

**PERSPECTIVE  
SKETCH**

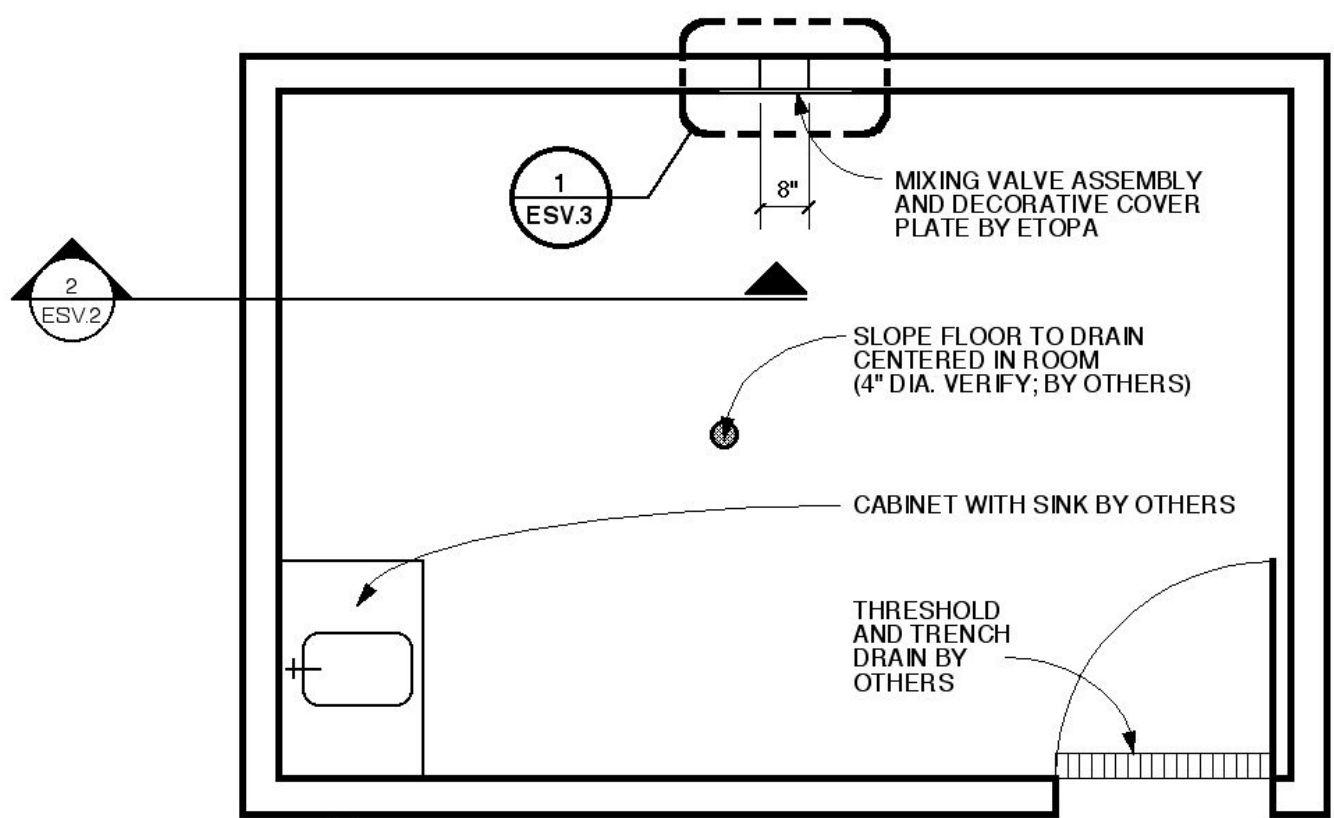
ISSUE DATE: 9/5/02

etopa reserves the right to alter details and/or dimensions without notice. Contact etopa for most recent version of drawings.

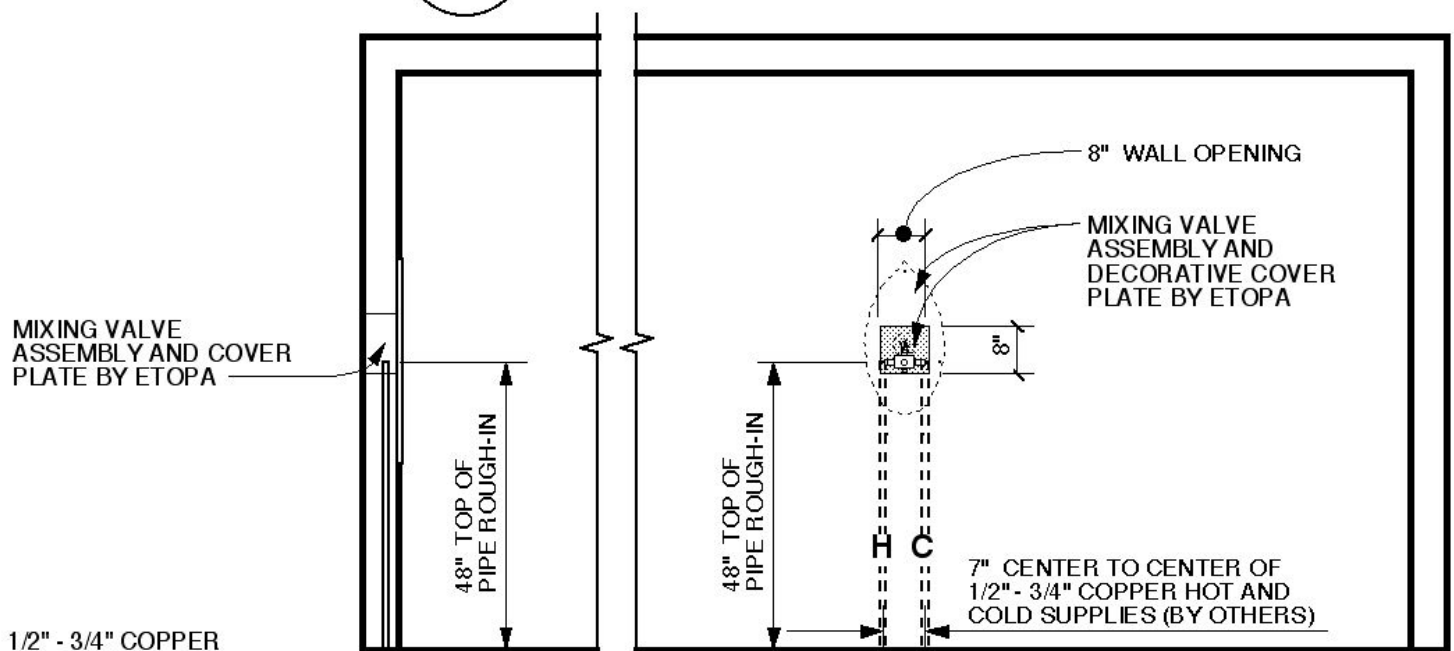
**HS.1**

SHEET 1 OF 3

Drawings prepared by:  
Charles Levin Architects  
Minneapolis, Minnesota  
[www.charleslevinarchitects.com](http://www.charleslevinarchitects.com)



**1** **TYPICAL SHOWER ROOM FLOOR PLAN**  
 HS.2 SCALE: 3/8" = 1'-0"



**2** **TYPICAL CROSS SECTION OF SHOWER SYSTEM**  
 HS.2 SCALE: 3/8" = 1'-0"

Drawings prepared by:  
 Charles Levin Architects  
 Minneapolis, Minnesota  
 www.charleslevinarchitects.com

A Product of  
**etopa**  
 303 South Pine St.  
 Hammond, LA 70403  
 Tel: 800.454.0128  
 Fax: 985.345.3555

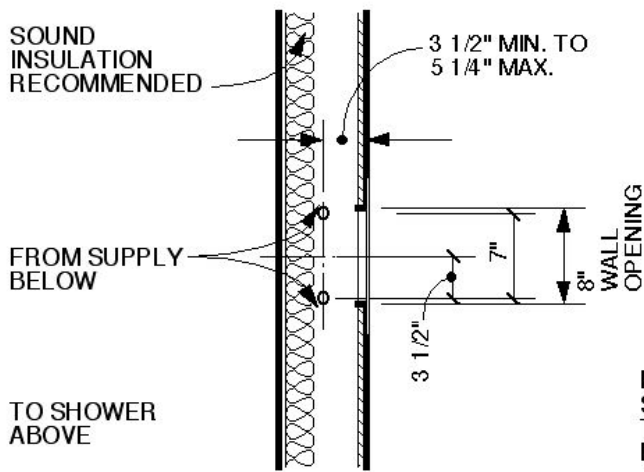
**E - SERENITY  
 HAND SHOWER  
 SHOWER ROOM**

---

**PLUMBING  
 ROUGH-IN  
 DRAWINGS**

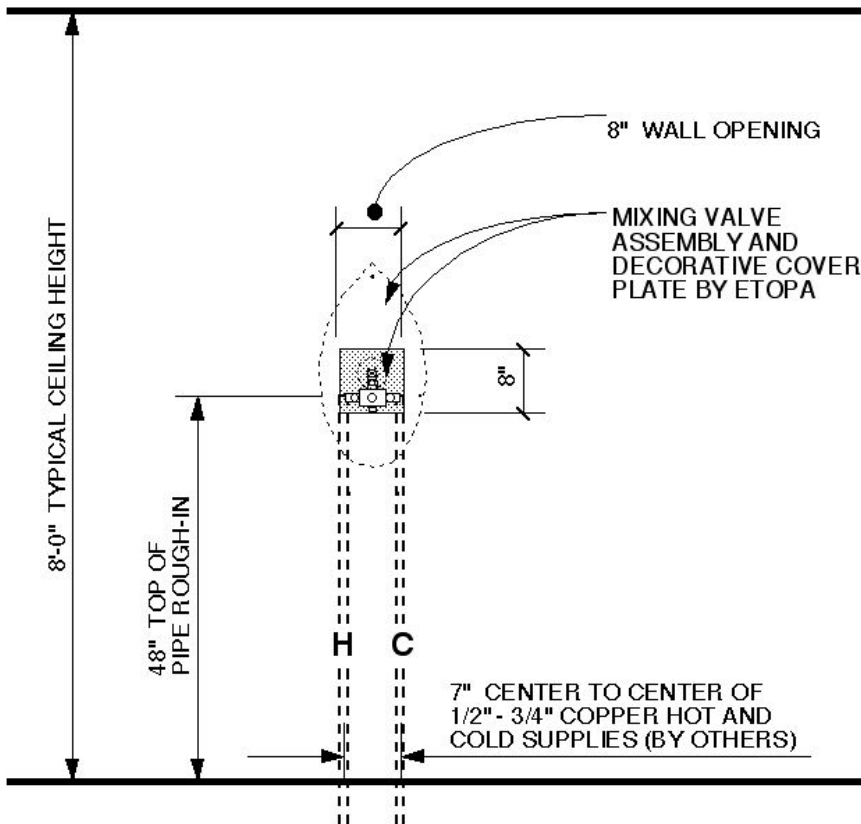
ISSUE DATE: 7/10/02  
 etopa reserves the right to alter details and/or dimensions without notice. Contact etopa for most recent version of drawings.

**HS.2**  
 SHEET 2 OF 3



NOTE: WALL AND SURFACE FINISH THICKNESSES MAY VARY

**1 MIXING VALVE PIPING ROUGH-IN PLAN**  
 HS.3 SCALE: 3/4" = 1'-0"



**2 MIXING VALVE PIPING ROUGH-IN ELEV.**  
 HS.3 SCALE: 1/2" = 1'-0"

**GENERAL NOTES**

1. CEILING HEIGHT ASSUMED TO BE 8'-0" (96") FINISHED; INFORM ETOPA IF YOUR CEILING IS DIFFERENT.
2. VALVE CAN BE PLUMBED INTO ANY WALL (6" MIN. THICKNESS RECOMMENDED TO ACCOMMODATE SOUND INSULATION AND DEPTH OF SHOWER VALVE); VENT ALL PLUMBING AS REQUIRED BY LOCAL CODE.
3. POWER VENTILATION OF ROOM IS RECOMMENDED, AND MAY BE REQUIRED BY LOCAL BUILDING CODE. VARIABLE SPEED CONTROL IS RECOMMENDED.
4. TROUGH TYPE FLOOR TRENCH DRAIN AT DOOR IS RECOMMENDED.
5. SINK WITH WORK COUNTER IS RECOMMENDED.
6. BACK FLOW PREVENTERS (WATTS #7) ARE RECOMMENDED IN HOT AND COLD WATER LINES, AND MAY BE REQUIRED BY LOCAL BUILDING CODE.
7. COMPLIANCE WITH LOCAL CODE IS THE RESPONSIBILITY OF OTHERS, NOT ETOPA.
8. MOUNTING HARDWARE NOT INCLUDED FOR MIXING VALVE COVER PLATE. ALL MOUNTING HARDWARE MUST BE STAINLESS STEEL.
9. ALL CONNECTIONS MUST BE PROPERLY SEALED (BOTH TAPE AND PASTE).
10. SLOPE FLOOR TO CENTER DRAIN AT 1/8"-1/4" PER FOOT.
11. HANDICAP GRAB BARS ARE RECOMMENDED AND MAY BE REQUIRED BY LOCAL CODE.
12. INDIRECT LIGHTING RECOMMENDED (NOT FLUORESCENT).
13. DECORATIVE COVER PLATE TO BE SEALED TO WALL WITH SILICONE SEALANT.
14. ETOPA RESERVES THE RIGHT TO ALTER DETAILS AND/OR DIMENSIONS WITHOUT NOTICE. CONTACT ETOPA FOR MOST RECENT VERSION OF DRAWINGS.

**ABBREVIATIONS**

- B.O. = BY OTHERS  
 B.E. = BY ETOPA  
 TYP = TYPICAL

Drawings prepared by:  
 Charles Levin Architects  
 Minneapolis, Minnesota  
 www.charleslevinarchitects.com

A Product of  
**etopa**

303 South Pine St.  
 Hammond, LA 70403

Tel: 800.454.0128  
 Fax: 985.345.3555

**E - SERENITY  
 HAND SHOWER  
 SHOWER ROOM**

**PLUMBING  
 ROUGH-IN  
 DRAWINGS**

ISSUE DATE: 7/10/02  
 etopa reserves the right to alter details and/or dimensions without notice. Contact etopa for most recent version of drawings.

**HS.3**  
 SHEET 3 OF 3