

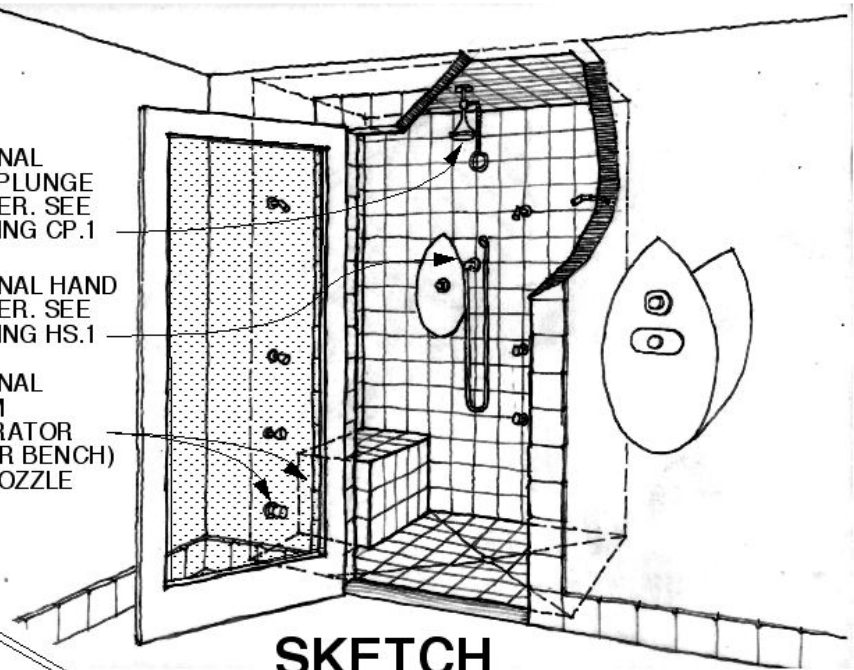
**RECOMMENDATIONS:**

1. TOWEL BARS
2. ROBE HOOKS
3. SOUND INSULATION
4. INDIVIDUAL ROOM ENVIRONMENTAL CONTROLS
5. NO MIRRORS
6. RUST/MOISTURE RESISTANT FIXTURING
7. WATERPROOF CEILING LIGHT
8. COMPLIANCE WITH ALL ASPECTS OF ALL APPLICABLE ACCESSIBILITY CODES - GRAB BARS - ETC.
9. PROVIDE APPROPRIATE BACKING FOR SECURE ATTACHMENT OF WALL MOUNTED ITEMS AS REQUIRED BY LOCAL CODE AND AS NECESSARY.

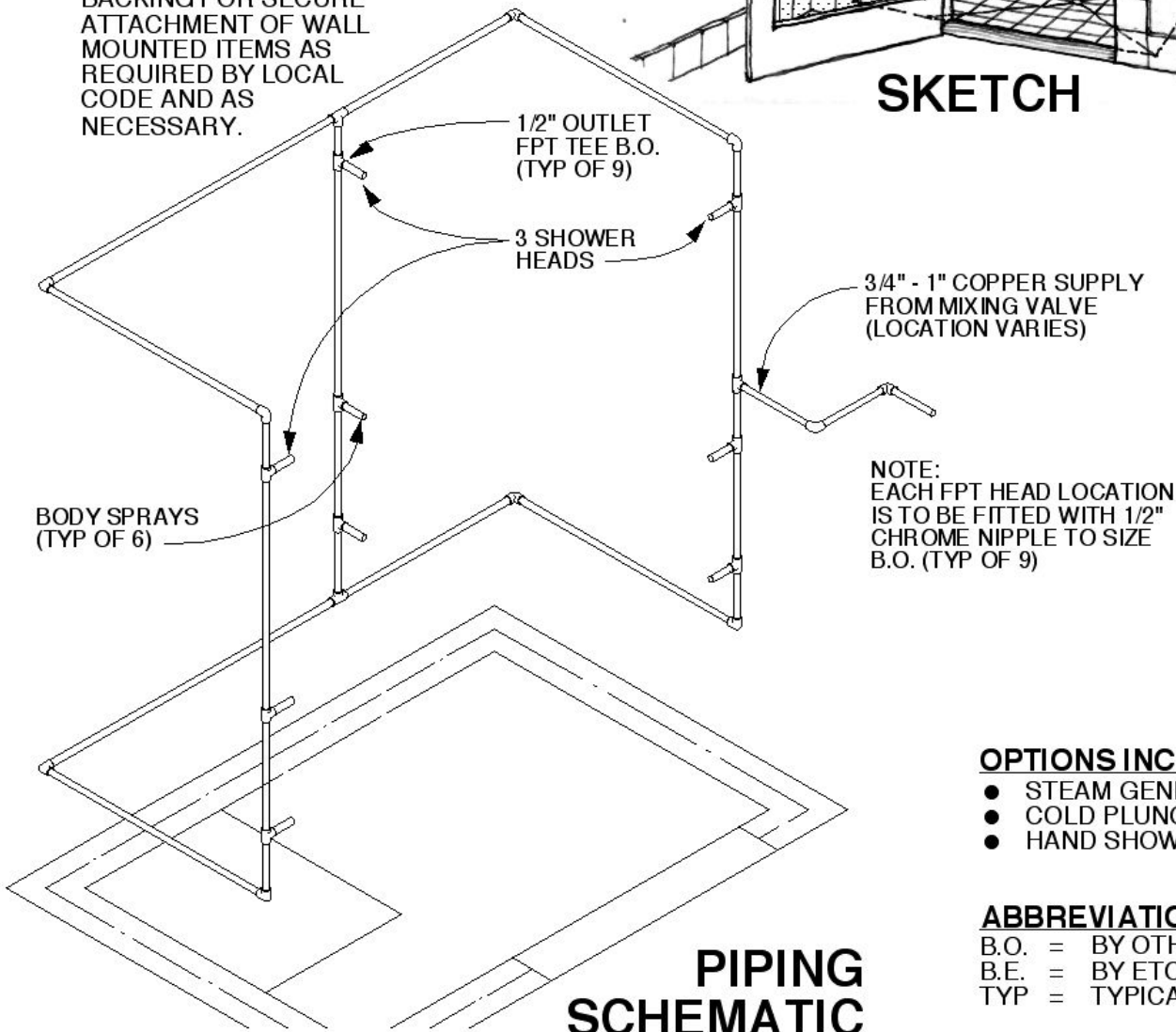
OPTIONAL COLD PLUNGE SHOWER. SEE DRAWING CP.1

OPTIONAL HAND SHOWER. SEE DRAWING HS.1

OPTIONAL STEAM GENERATOR (UNDER BENCH) AND NOZZLE



**SKETCH**



**OPTIONS INCLUDE:**

- STEAM GENERATOR/NOZZLE
- COLD PLUNGE SHOWER
- HAND SHOWER

**ABBREVIATIONS**

B.O. = BY OTHERS  
 B.E. = BY ETOPA  
 TYP = TYPICAL

Drawings prepared by:  
 Charles Levin Architects  
 Minneapolis, Minnesota  
 www.charleslevinarchitects.com

A Product of

**etopa**

303 South Pine St.  
 Hammond, LA 70403

Tel: 800.454.0128  
 Fax: 985.345.3555

**KRISTIN'S  
 ULTIMATE SWISS  
 SHOWER ROOM**

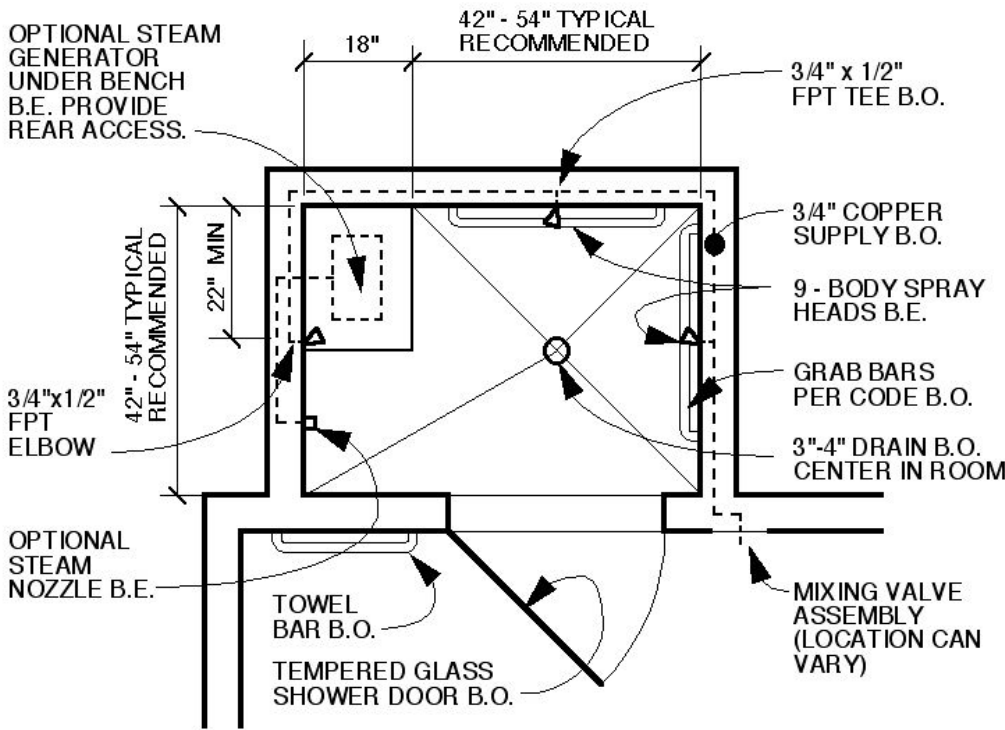
**PLUMBING  
 ROUGH-IN  
 DRAWINGS**

ISSUE DATE: 9/5/02

etopa reserves the right to alter details and/or dimensions without notice. Contact etopa for most recent version of drawings.

**KUS.1**

SHEET 1 OF 3



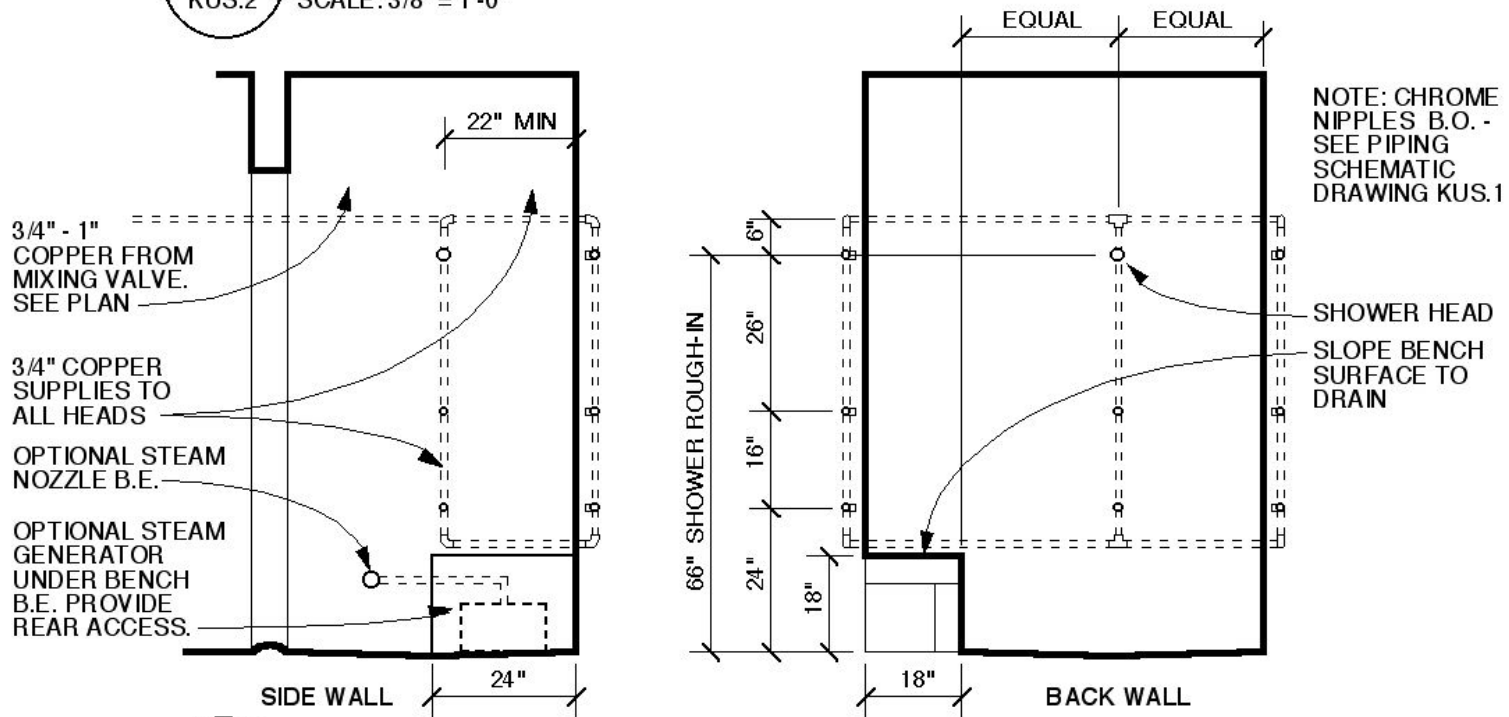
**GENERAL NOTES:**

1. ALL COPPER IS BY OTHERS.
2. ROOM SIZES/SHAPES AND DOOR PLACEMENTS VARY WITH INDIVIDUAL JOB CONDITIONS AND ACCESSIBILITY CODES. CONTACT ETOPA FOR INFORMATION ON CUSTOM SHOWERS LARGER THAN SHOWN. DIMENSIONS SHOWN ARE NOT INTENDED TO BE ADA COMPLIANT (ADA COMPLIANT DESIGN IS THE RESPONSIBILITY OF OTHERS).
3. SHOWER HEAD OUTLET POSITIONS MAY BE MODIFIED AS APPROPRIATE TO STALL DIMENSIONS.
4. EACH SHOWER HEAD AND BODY SPRAY IS PROVIDED WITH INDIVIDUAL PRESSURE CONTROL
5. NOTE THAT MIXING VALVE ASSEMBLY IS TO BE INSTALLED OUTSIDE OF SHOWER STALL

**ABBREVIATIONS**

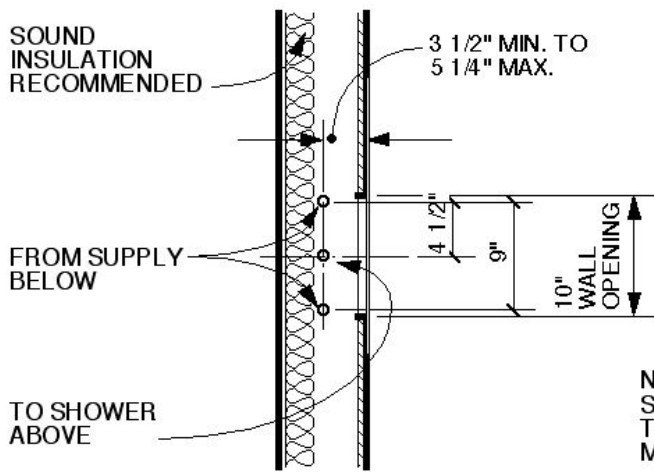
B.O. = BY OTHERS  
 B.E. = BY ETOPA  
 TYP = TYPICAL

**1 TYPICAL SHOWER ROOM FLOOR PLAN**  
 KUS.2 SCALE: 3/8" = 1'-0"



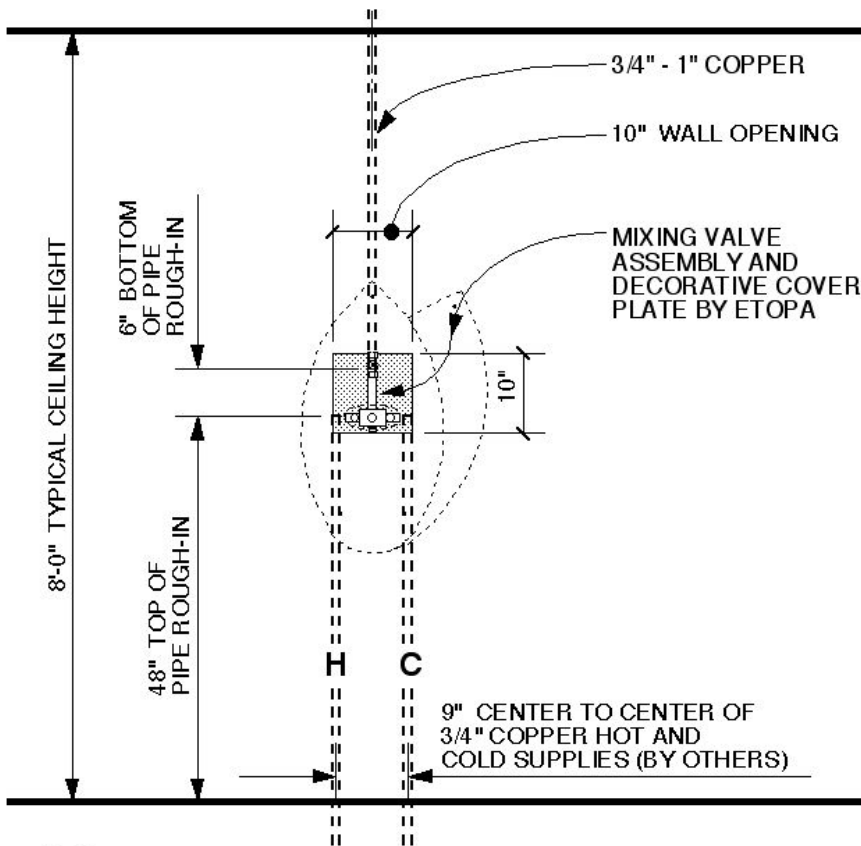
**2 ROUGH-IN ELEVATIONS OF SHOWER SYSTEM**  
 KUS.2 SCALE: 3/8" = 1'-0"

<p>Drawings prepared by:          Charles Levin Architects          Minneapolis, Minnesota  <a href="http://www.charleslevinarchitects.com">www.charleslevinarchitects.com</a></p>	<p>A Product of  <b>etopa</b>          303 South Pine St.          Hammond, LA 70403          Tel: 800.454.0128          Fax: 985.345.3555</p>	<p>KRISTIN'S          ULTIMATE SWISS          SHOWER ROOM</p> <hr/> <p>PLUMBING          ROUGH-IN          DRAWINGS</p>	<p>ISSUE DATE: 11/20/02          etopa reserves the right to alter details and/or dimensions without notice. Contact etopa for most recent version of drawings.</p> <p><b>KUS.2</b>          SHEET 2 OF 3</p>
--	--	---	---



NOTE: WALL AND SURFACE FINISH THICKNESSES MAY VARY

**1 MIXING VALVE PIPING ROUGH-IN PLAN**  
 KUS.3 SCALE: 3/4" = 1'-0"



**2 MIXING VALVE PIPING ROUGH-IN ELEV.**  
 KUS.3 SCALE: 1/2" = 1'-0"

**GENERAL NOTES**

1. SYSTEM REQUIRES MINIMUM 50 PSI.
2. VALVE CAN BE PLUMBED INTO ANY WALL (6" MIN. THICKNESS RECOMMENDED TO ACCOMMODATE SOUND INSULATION AND DEPTH OF SHOWER VALVE; VENT ALL PLUMBING AS REQUIRED BY LOCAL CODE.
3. POWER VENTILATION OF ROOM IS RECOMMENDED, AND MAY BE REQUIRED BY LOCAL BUILDING CODE. VARIABLE SPEED CONTROL IS RECOMMENDED.
4. AN ADDITIONAL HAND SHOWER AND A COLD PLUNGE SHOWER ARE RECOMMENDED.
5. BACK FLOW PREVENTERS (WATTS #7) ARE RECOMMENDED IN HOT AND COLD WATER LINES, AND MAY BE REQUIRED BY LOCAL BUILDING CODE.
6. COMPLIANCE WITH LOCAL CODE IS THE RESPONSIBILITY OF OTHERS, NOT ETOPA.
7. HANDICAP GRAB BARS ARE RECOMMENDED AND MAY BE REQUIRED BY LOCAL CODE.
8. MOUNTING HARDWARE NOT INCLUDED FOR MIXING VALVE COVER PLATE. ALL MOUNTING HARDWARE MUST BE STAINLESS STEEL.
9. ALL THREADED CONNECTIONS MUST BE PROPERLY SEALED (BOTH TAPE AND PASTE). SLOPE FLOOR TO CENTER DRAIN AT 1/8"-1/4" PER FOOT.
10. WATERPROOF LIGHTING REQUIRED.
11. DECORATIVE PLATE TO BE SEALED TO WALL WITH SILICONE SEALANT.
12. ETOPA RESERVES THE RIGHT TO ALTER DETAILS AND/OR DIMENSIONS WITHOUT NOTICE. CONTACT ETOPA FOR MOST RECENT VERSION OF DRAWINGS.

**ABBREVIATIONS**

- B.O. = BY OTHERS  
 B.E. = BY ETOPA  
 TYP = TYPICAL

<p>Drawings prepared by:          Charles Levin Architects          Minneapolis, Minnesota  <a href="http://www.charleslevinarchitects.com">www.charleslevinarchitects.com</a></p>	<p>A Product of  <b>etopa</b>          303 South Pine St.          Hammond, LA 70403          Tel: 800.454.0128          Fax: 985.345.3555</p>	<p><b>KRISTIN'S          ULTIMATE SWISS          SHOWER ROOM</b></p> <hr/> <p><b>PLUMBING          ROUGH-IN          DRAWINGS</b></p>	<p>ISSUE DATE: 9/5/02          etopa reserves the right to alter details and/or dimensions without notice. Contact etopa for most recent version of drawings.</p> <p style="font-size: 2em; font-weight: bold; text-align: center;">KUS.3</p> <p style="text-align: center;">SHEET 3 OF 3</p>
--	--	---	---