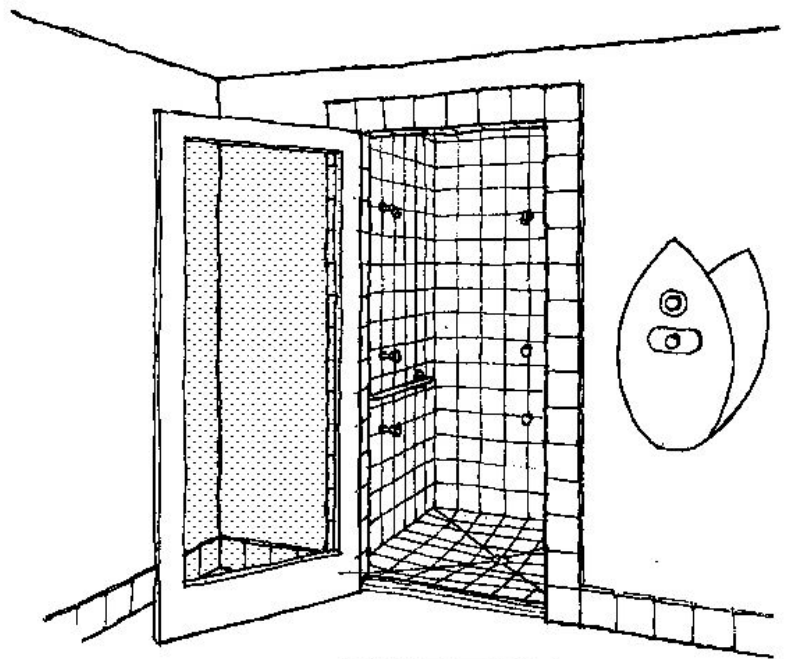


RECOMMENDATIONS:

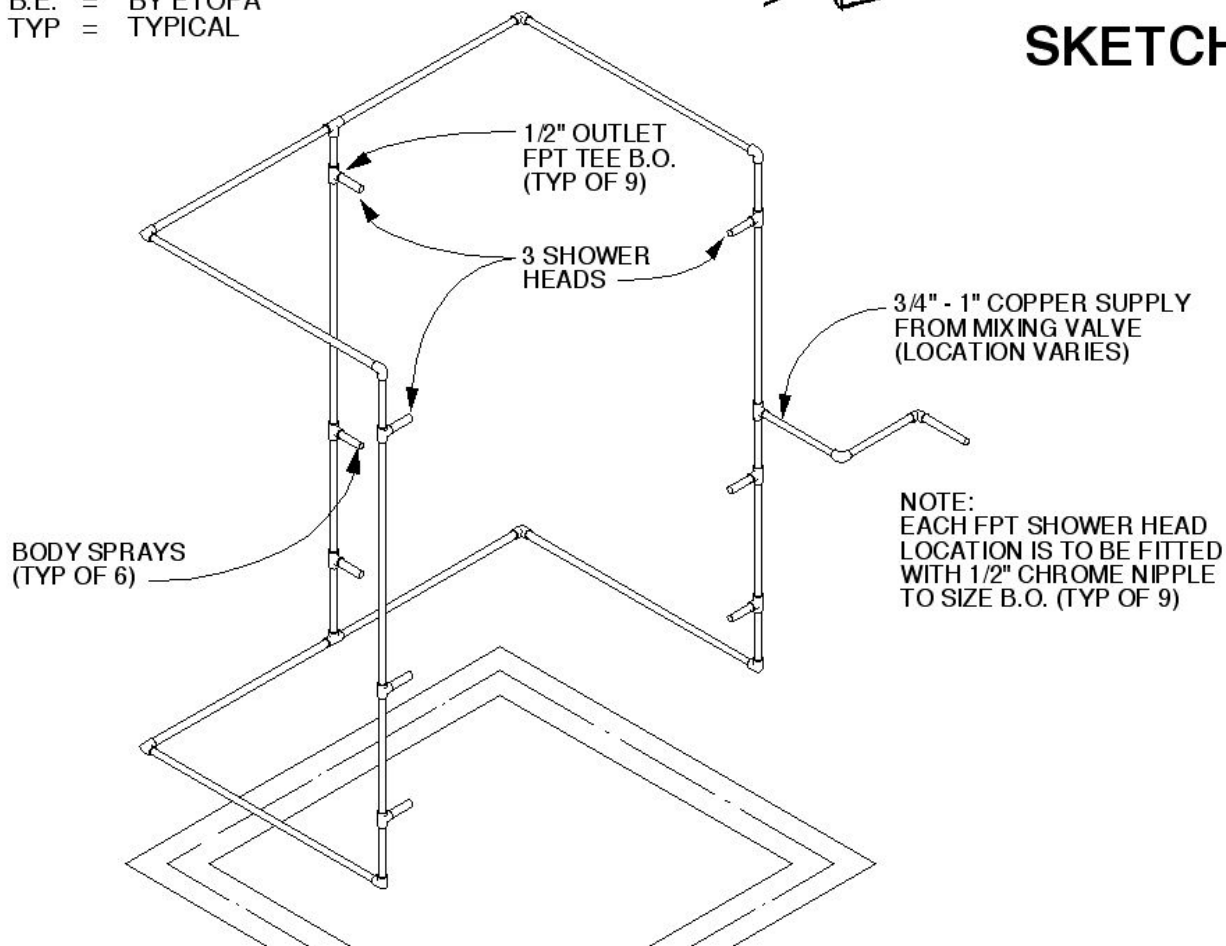
1. TOWEL BARS
2. ROBE HOOKS
3. SOUND INSULATION
4. INDIVIDUAL ROOM ENVIRONMENTAL CONTROLS
5. NO MIRRORS
6. RUST/MOISTURE RESISTANT FIXTURING
7. WATERPROOF CEILING LIGHT
8. COMPLIANCE WITH ALL ASPECTS OF ALL APPLICABLE ACCESSIBILITY CODES
 - GRAB BARS
 - SHOWER SEAT
 - ETC.
9. PROVIDE APPROPRIATE BACKING FOR SECURE ATTACHMENT OF WALL MOUNTED ITEMS AS REQUIRED BY LOCAL CODE AND AS NECESSARY.

ABBREVIATIONS

B.O. = BY OTHERS
B.E. = BY ETOPA
TYP = TYPICAL



SKETCH



PIPING SCHEMATIC

A Product of

etopa

303 South Pine St.
Hammond, LA 70403

Tel: 800.454.0128
Fax: 985.345.3555

**E
SWISS
SHOWER ROOM**

**PLUMBING
ROUGH-IN
DRAWINGS**

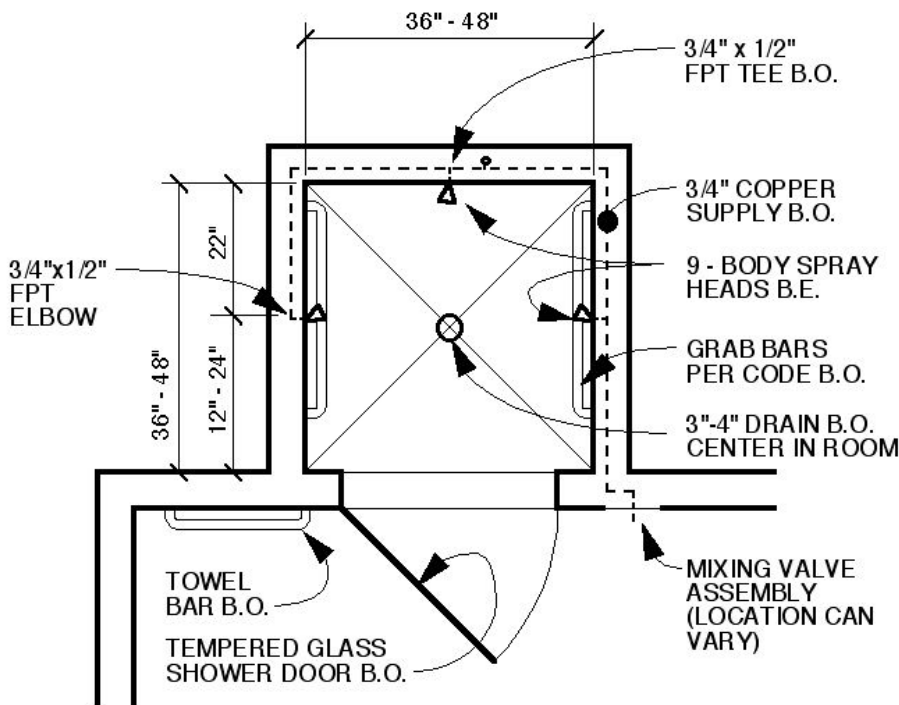
ISSUE DATE: 7/10/02

etopa reserves the right to alter details and/or dimensions without notice. Contact etopa for most recent version of drawings.

SS9.1

SHEET 1 OF 3

Drawings prepared by:
Charles Levin Architects
Minneapolis, Minnesota
www.charleslevinarchitects.com



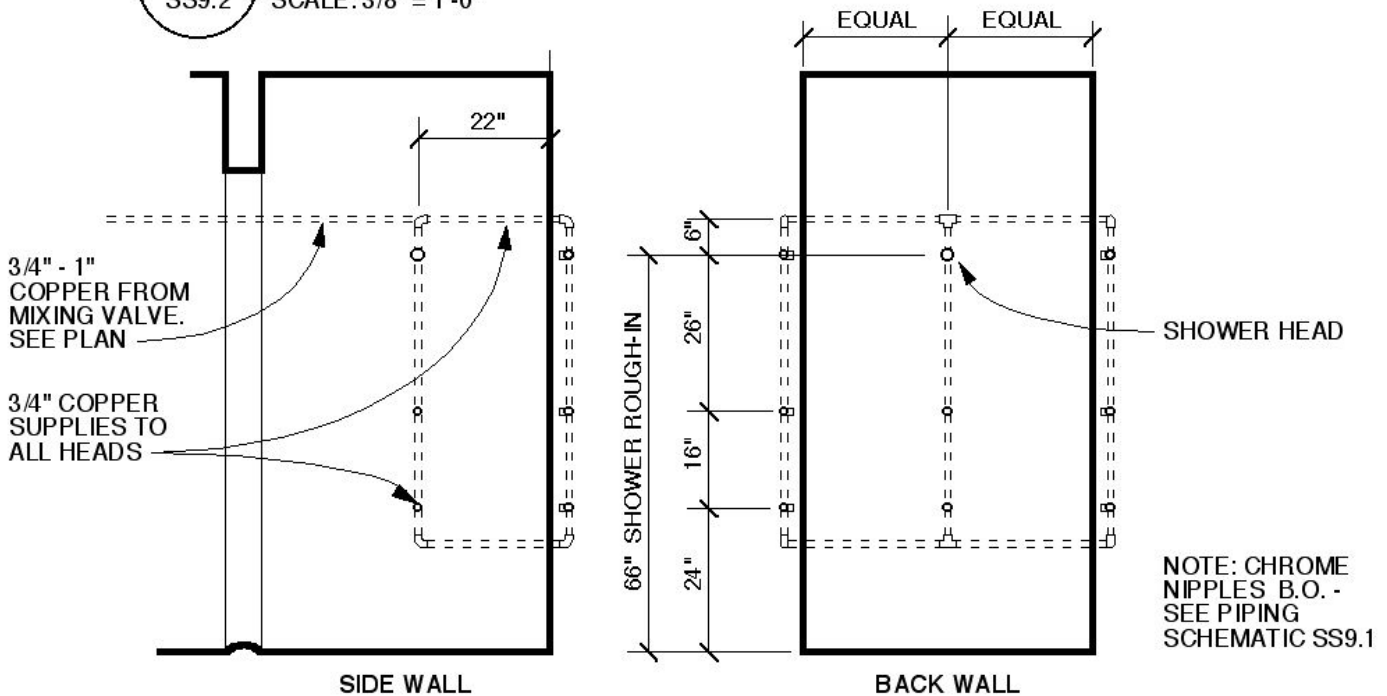
GENERAL NOTES:

1. ALL COPPER IS BY OTHERS.
2. ROOM SIZES/SHAPES AND DOOR PLACEMENTS VARY WITH INDIVIDUAL JOB CONDITIONS AND ACCESSIBILITY CODES. CONTACT ETOPA FOR INFORMATION ON CUSTOM SHOWERS LARGER THAN SHOWN OR FOR WHEEL-IN ACCESSIBLE SHOWERS.
3. SHOWER HEAD OUTLET POSITIONS MAY BE MODIFIED AS APPROPRIATE TO STALL DIMENSIONS.
4. EACH SHOWER HEAD AND BODY SPRAY IS PROVIDED WITH INDIVIDUAL PRESSURE CONTROL.
5. NOTE THAT MIXING VALVE ASSEMBLY IS TO BE INSTALLED OUTSIDE OF SHOWER STALL.

ABBREVIATIONS

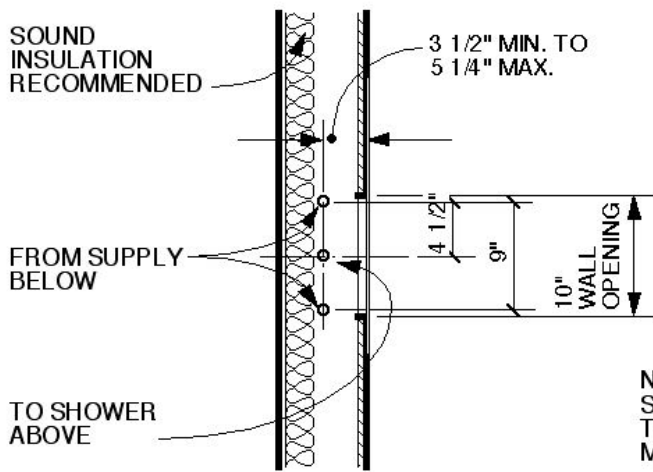
B.O.	=	BY OTHERS
B.E.	=	BY ETOPA
TYP	=	TYPICAL

1 **TYPICAL SHOWER ROOM FLOOR PLAN**
 SS9.2 SCALE: 3/8" = 1'-0"



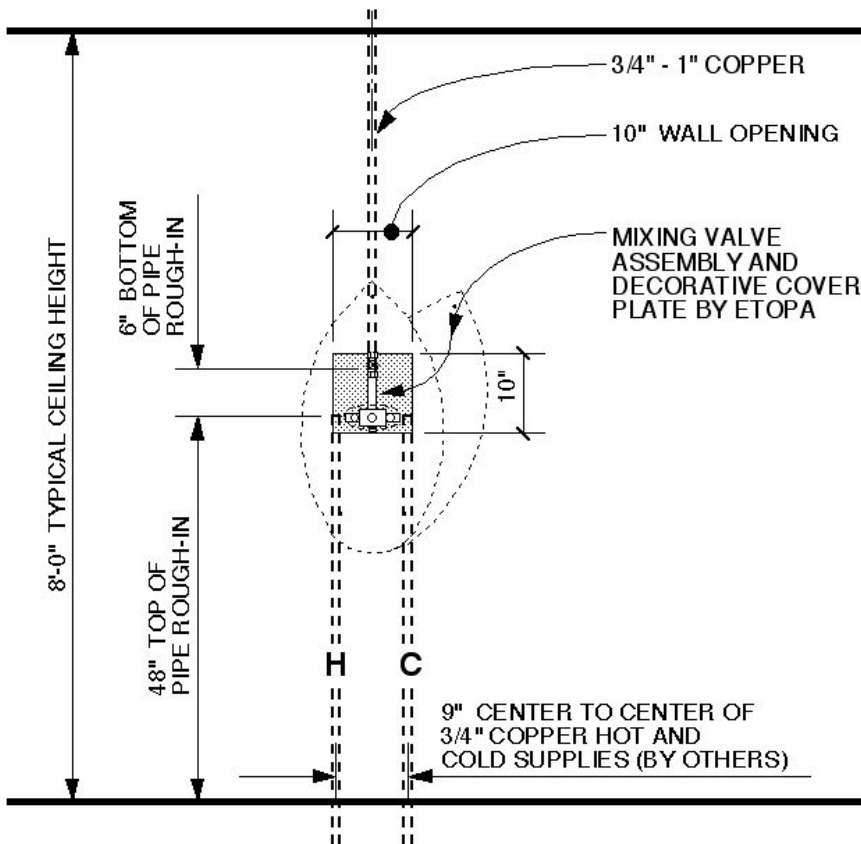
2 **ROUGH-IN ELEVATIONS OF SHOWER SYSTEM**
 SS9.2 SCALE: 3/8" = 1'-0"

<p>Drawings prepared by: Charles Levin Architects Minneapolis, Minnesota www.charleslevinarchitects.com</p>	<p>A Product of</p> <p>etopa</p> <p>303 South Pine St. Hammond, LA 70403</p> <p>Tel: 800.454.0128 Fax: 985.345.3555</p>	<p>E - SERENITY SWISS SHOWER ROOM</p> <hr/> <p>PLUMBING ROUGH-IN DRAWINGS</p>	<p>ISSUE DATE: 11/20/02</p> <p>etopa reserves the right to alter details and/or dimensions without notice. Contact etopa for most recent version of drawings.</p> <p>SS9.2</p> <p>SHEET 2 OF 3</p>
	<p>etopa reserves the right to alter details and/or dimensions without notice. Contact etopa for most recent version of drawings.</p>		



NOTE: WALL AND SURFACE FINISH THICKNESSES MAY VARY

1 MIXING VALVE PIPING ROUGH-IN PLAN
 SS9.3 SCALE: 3/4" = 1'-0"



2 MIXING VALVE PIPING ROUGH-IN ELEV.
 SS9.3 SCALE: 1/2" = 1'-0"

GENERAL NOTES

1. SYSTEM REQUIRES MINIMUM 50 PSI.
2. VALVE CAN BE PLUMBED INTO ANY WALL (6" MIN. THICKNESS RECOMMENDED TO ACCOMMODATE SOUND INSULATION AND DEPTH OF SHOWER VALVE; VENT ALL PLUMBING AS REQUIRED BY LOCAL CODE.
3. POWER VENTILATION OF ROOM IS RECOMMENDED, AND MAY BE REQUIRED BY LOCAL BUILDING CODE. VARIABLE SPEED CONTROL IS RECOMMENDED.
4. AN ADDITIONAL HAND SHOWER AND A COLD PLUNGE SHOWER ARE RECOMMENDED.
5. BACK FLOW PREVENTERS (WATTS #7) ARE RECOMMENDED IN HOT AND COLD WATER LINES, AND MAY BE REQUIRED BY LOCAL BUILDING CODE
6. COMPLIANCE WITH LOCAL CODE IS THE RESPONSIBILITY OF OTHERS, NOT ETOPA.
7. HANDICAP GRAB BARS ARE RECOMMENDED AND MAY BE REQUIRED BY LOCAL CODE.
8. MOUNTING HARDWARE NOT INCLUDED FOR MIXING VALVE COVER PLATE. ALL MOUNTING HARDWARE MUST BE STAINLESS STEEL.
9. ALL THREADED CONNECTIONS MUST BE PROPERLY SEALED (BOTH TAPE AND PASTE). SLOPE FLOOR TO CENTER DRAIN AT 1/8"-1/4" PER FOOT.
10. WATERPROOF LIGHTING REQUIRED.
11. DECORATIVE PLATE TO BE SEALED TO WALL WITH SILICONE SEALANT.
12. ETOPA RESERVES THE RIGHT TO ALTER DETAILS AND/OR DIMENSIONS WITHOUT NOTICE. CONTACT ETOPA FOR MOST RECENT VERSION OF DRAWINGS.

ABBREVIATIONS

- B.O. = BY OTHERS
 B.E. = BY ETOPA
 TYP = TYPICAL

Drawings prepared by:
 Charles Levin Architects
 Minneapolis, Minnesota
 www.charleslevinarchitects.com

A Product of
etopa
 303 South Pine St.
 Hammond, LA 70403
 Tel: 800.454.0128
 Fax: 985.345.3555

**E - SERENITY
 SWISS
 SHOWER ROOM**

**PLUMBING
 ROUGH-IN
 DRAWINGS**

ISSUE DATE: 9/6/02
 etopa reserves the right to alter details and/or dimensions without notice. Contact etopa for most recent version of drawings.

SS9.3
 SHEET 3 OF 3